



LION'S WOOD BANQUET FURNITURE

502 South Mount Street, Baltimore, MD 21223



443-763-3620

QUICK SHIP PARSONS TABLE



Info@lwbanquetfurniture.com



www.lwbanquetfurniture.com

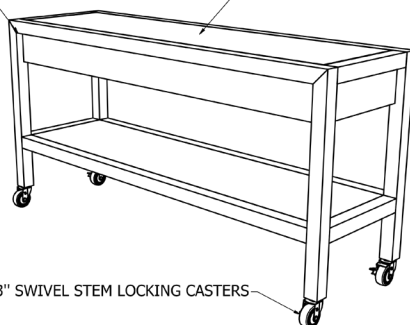


Specifications:

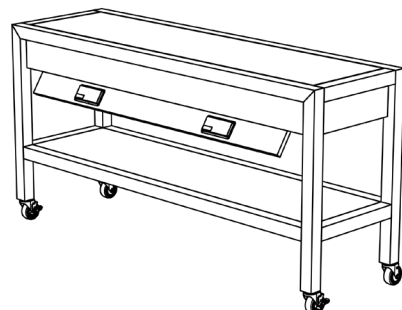
- **Dimensions:** 19.5"W x 65"L x 33"H
- **Weight:** 375 lbs.
- **Top:** 1.2cm Lion's Stone in any standard color option
- **Body:** Solid ash square wood legs and furniture grade ash plywood
- **Table Edge:** Decorative solid ash wood edge with protective bumper for impact durability
- **Plate Shelf:** finished furniture-grade ash plywood with solid ash wood edge
- **Finish:** Stained wood using a water-based conversion varnish
- **Casters:** (4) 3" Nylon locking casters

SOLID ASH SQR. CONSTRUCTION
OF STANDARD STAIN TBD

LION'S STONE COUNTER OF TBD FINISH



(4) HEAVY DUTY 3" SWIVEL STEM LOCKING CASTERS



ALL PRODUCTS PROUDLY DESIGNED AND MANUFACTURED IN BALTIMORE, MD, USA

*For Induction

Lion's Stone Top:



Beluga



Solid Pitch



Marble Nero

Wood Stain Body:



Brown Glaze on Ash



Ebony Glaze on Ash



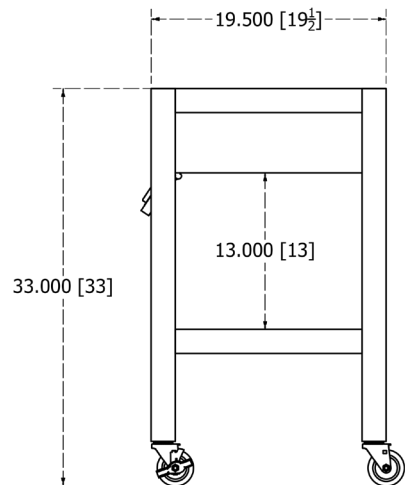
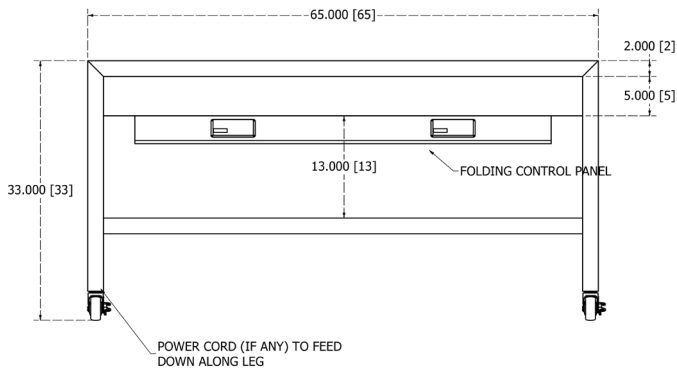
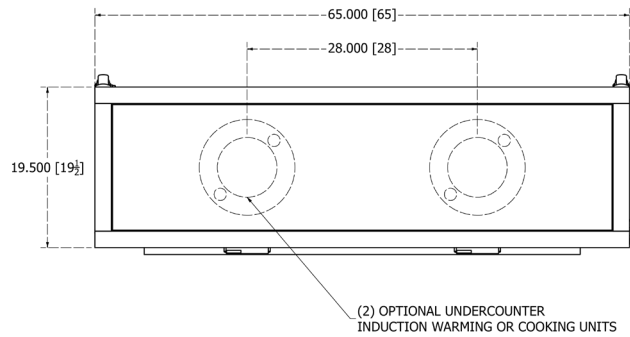
Walnut Glaze on Ash



MODEL	TOP	WOOD STAIN BODY
QS-PAR2065-B-B	Beluga	Brown Glaze on Ash
QS-PAR2065-B-E	Beluga	Ebony Glaze on Ash
QS-PAR2065-B-W	Beluga	Walnut Glaze on Ash
QS-PAR2065-SP-B	Solid Pitch	Brown Glaze on Ash
QS-PAR2065-SP-E	Solid Pitch	Ebony Glaze on Ash
QS-PAR2065-SP-W	Solid Pitch	Walnut Glaze on Ash
QS-PAR2065-MN-B	Marble Nero	Brown Glaze on Ash
QS-PAR2065-MN-E	Marble Nero	Ebony Glaze on Ash
QS-PAR2065-MN-W	Marble Nero	Walnut Glaze on Ash

add 250-300 lbs per crate/pallet for total shipping weight

INDUCTION HOLDING MODELS	HOLDING UNITS (Max per Table)
QS-PAR2065-IND	2
INDUCTION COOKING MODELS	COOKING UNITS (Max per Table)
QS-PAR2065-IC	2



** (2) induction cookers can operate on a standard 20 amp dedicated plug
 ** Lion's Stone surface required on all concealed induction tables

