



LION'S WOOD BANQUET FURNITURE

502 South Mount Street, Baltimore, MD 21223



443-763-3620

QUICK SHIP CHESAPEAKE STANDARD TABLE



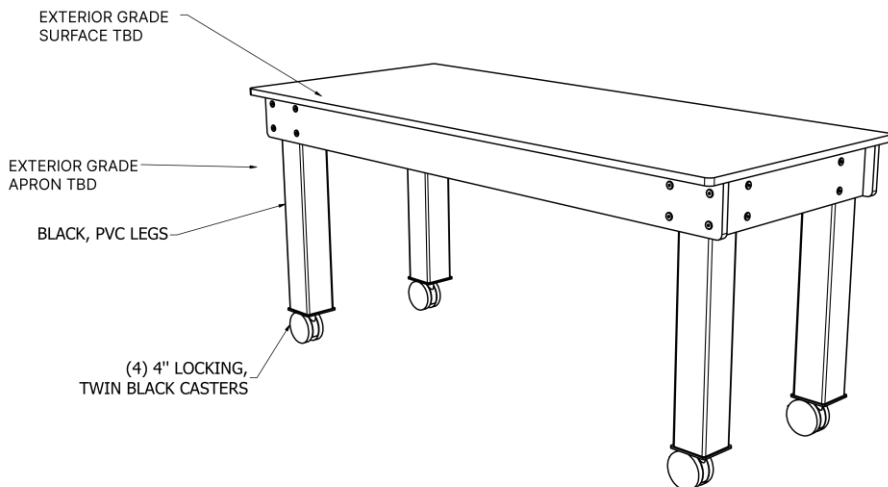
Info@lwbanquetfurniture.com



www.lwbanquetfurniture.com

Specifications:

- Dimensions: 30"W x 72"L x 33"H
- Weight: 120 lbs.
- Body and Countertop Construction: All-exterior grade materials, HDPE (High Density Polyethylene)
- Legs: Removable and storable 4" square black PVC
- Casters: 4" twin wheel locking casters
- Hardware: 100% exterior grade fasteners and hardware



ALL PRODUCTS PROUDLY DESIGNED AND MANUFACTURED IN BALTIMORE, MD, USA

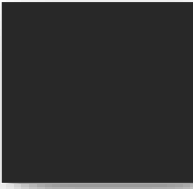
Exterior-Grade Top and Body:



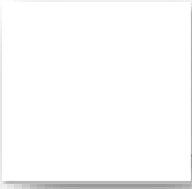
Oak



Birch



Solid Black



Polar White



Mercury Grey



MODEL	BODY/APRON
QS-CHESTTA-O	Oak
QS-CHESTTA-B	Birch
QS-CHESTTA-SB	Solid Black
QS-CHESTTA-PW	Polar White
QS-CHESTTA-MG	Mercury Grey

Add 250-300 lbs. per crate/pallet for total shipping weight
 UP TO (5) FIVE STANDARD TABLES CAN SHIP IN A SINGLE CRATE

