



LION'S WOOD BANQUET FURNITURE

502 South Mount Street, Baltimore, MD 21223



443-763-3620



Info@lwbanquetfurniture.com



www.lwbanquetfurniture.com

CHESAPEAKE STANDARD TABLE



Specifications:

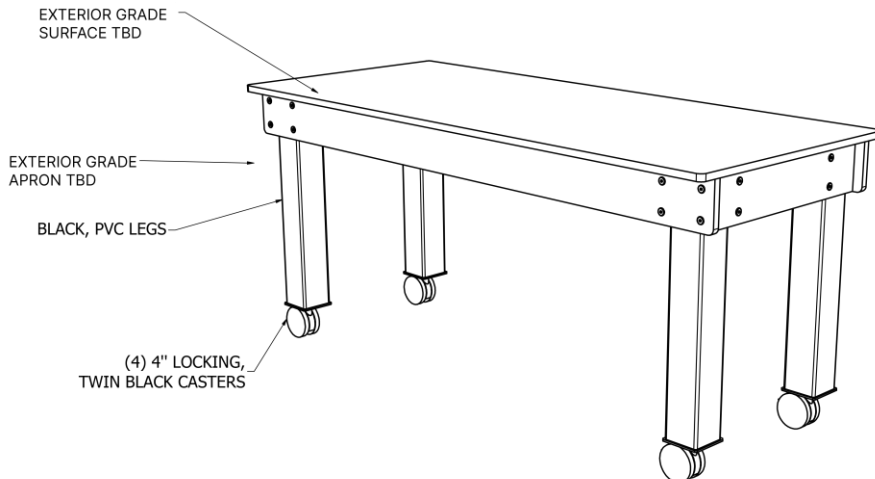
- **Body and Countertop Construction:** All-exterior grade materials, HDPE (High Density Polyethylene)
- **Legs:** Removable and storable 4" square black PVC
- **Casters:** 4" twin wheel locking casters
- **Hardware:** 100% exterior grade fasteners and hardware

Options:

- **Pop-up Bar Topper:** Add a removable bar topper
- **Cover:** Protective cover with or without embroidery



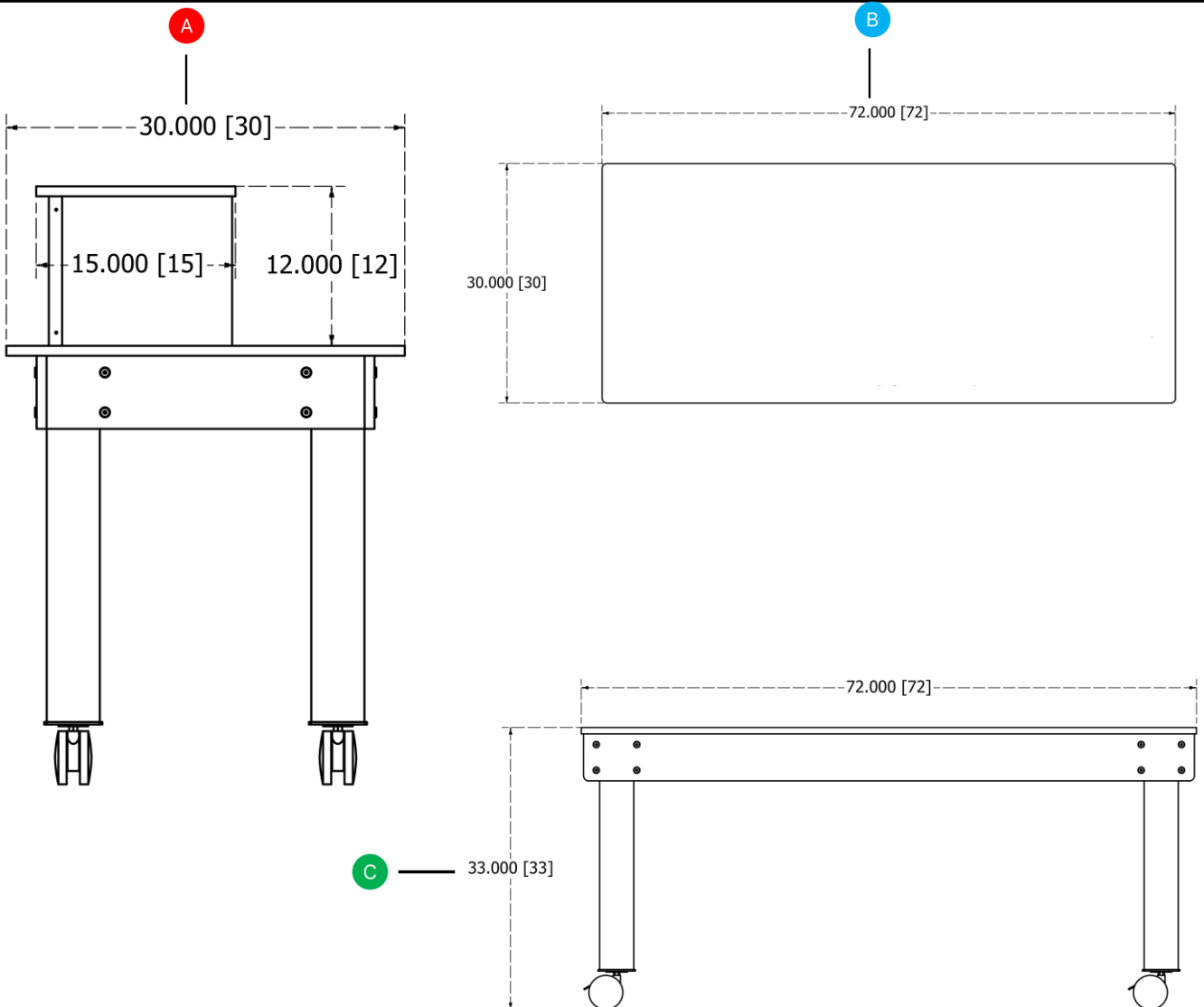
Contact the factory for customized sizes and other equipment requirements.



ALL PRODUCTS PROUDLY DESIGNED AND MANUFACTURED IN BALTIMORE, MD, USA

MODEL	A WIDTH	B LENGTH	C HEIGHT	SURFACE AND BODY	PRODUCT WEIGHT
CHESSTA60	30"	60"	33"	HDPE	100 lbs.
CHESSTA72	30"	72"	33"	HDPE	120 lbs.
CHESSTA96	30"	96"	33"	HDPE	150 lbs.

Add 250-300 lbs. per crate/pallet for total shipping weight



CHESSTA72 AS SHOWN

