



LION'S WOOD BANQUET FURNITURE

502 South Mount Street, Baltimore, MD 21223



443-763-3620

QUICK SHIP POP UP BAR



Info@lwbanquetfurniture.com



www.lwbanquetfurniture.com

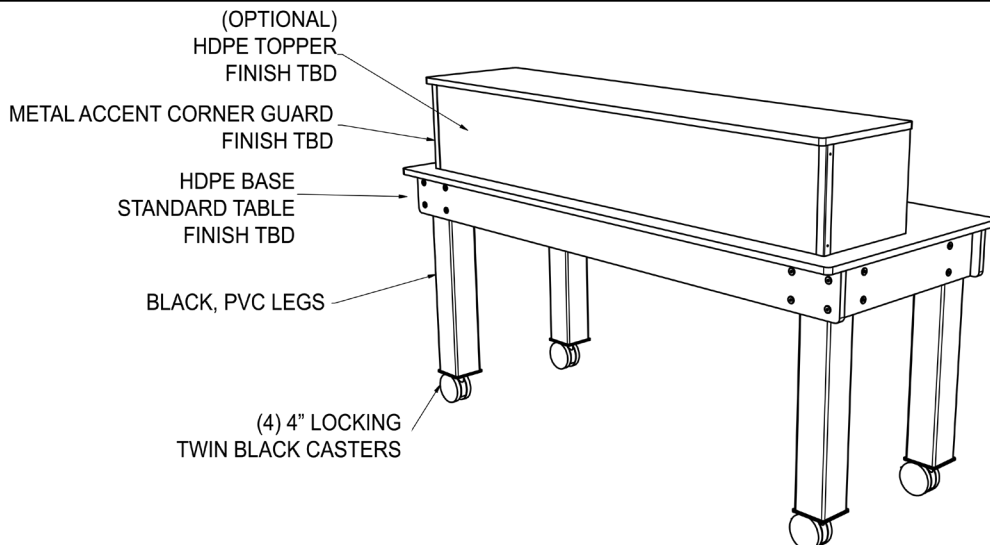
Specifications:

- **Dimensions:** 30"W x 72"L x 33"H
(Topper dimensions are 15"D x 12"H x 66"L)
- **Weight:** Without Topper 120 lbs.
With Topper 195 lbs.
- **Body and Countertop Construction:** All-exterior grade materials, HDPE (High Density Polyethylene)
- **Legs:** Removable and storable 4" square black PVC
- **Casters:** 4" twin wheel locking casters
- **Hardware:** 100% exterior grade fasteners and hardware



Options:

- **Pop-up Bar Topper:** Optional removable bar topper
- **Cover:** Protective cover with or without embroidery

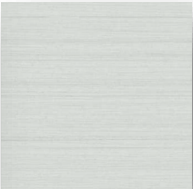


ALL PRODUCTS PROUDLY DESIGNED AND MANUFACTURED IN BALTIMORE, MD, USA

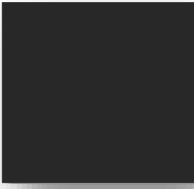
Exterior-Grade Top and Body:



Oak



Birch



Solid Black



Polar White

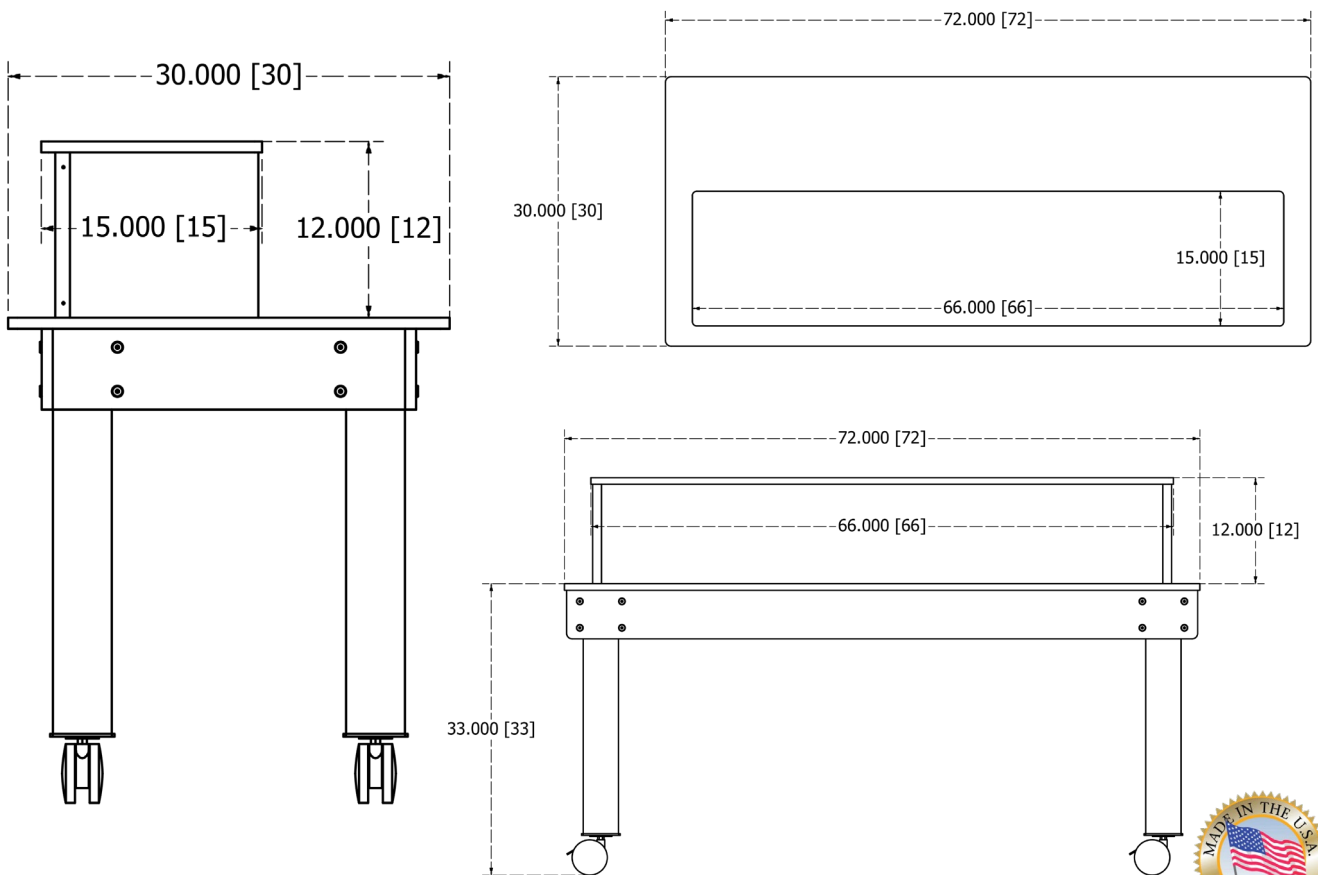


Mercury Grey



MODEL	TOPPER	BODY
QS-CHESTTA-O	Without Topper	Oak
QS-CHESTTA-TOP-O	With Topper	Oak
QS-CHESTTA-B	Without Topper	Birch
QS-CHESTTA-TOP-B	With Topper	Birch
QS-CHESTTA-SB	Without Topper	Solid Black
QS-CHESTTA-TOP-SB	With Topper	Solid Black
QS-CHESTTA-PW	Without Topper	Polar White
QS-CHESTTA-TOP-PW	With Topper	Polar White
QS-CHESTTA-MG	Without Topper	Mercury Grey
QS-CHESTTA-TOP-MG	With Topper	Mercury Grey

Add 250-300 lbs. per crate/pallet for total shipping weight



ALL PRODUCTS PROUDLY DESIGNED AND MANUFACTURED IN BALTIMORE, MD, USA

