



# LION'S WOOD BANQUET FURNITURE

502 South Mount Street, Baltimore, MD 21223



443-763-3620

**QUICK SHIP EVO  
PRESENTATION SYSTEM**



Info@lwbanquetfurniture.com

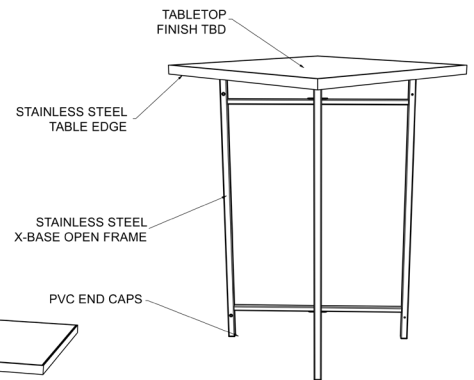
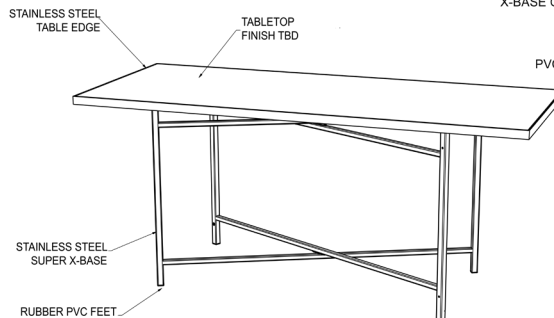
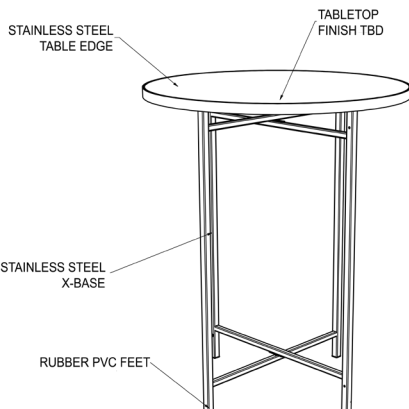


www.lwbanquetfurniture.com



## Specifications:

- **Dimensions:** Square (SQ) – 30"W x 30"L x 42"H  
Round (RND) – 30"W Diameter x 42"H  
Rectangle (REC) – 30"W x 60"L x 36"H
- **Base Construction:** Heavy-duty 16-gauge brushed stainless steel foldable base
- **Tabletop Surface:** Standard Laminate
- **Tabletop Edge Construction:** 11-gauge metal protective tabletop edge in brushed stainless steel
- **Tabletop Construction:** 1-3/16" thick light-weight plywood core
- **Assembly:** Patented locking clip system connects tabletops with bases
- **Storage:** Folding leg assembly for easy storage

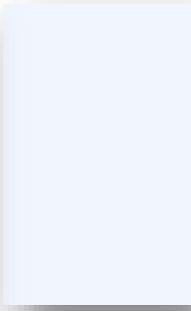


ALL PRODUCTS PROUDLY DESIGNED AND MANUFACTURED IN BALTIMORE, MD, USA

Laminate Top:



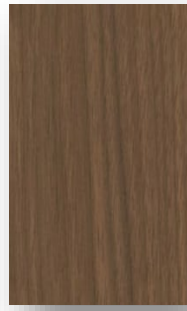
Black



White



Antique  
Marula  
Pine



Neo  
Walnut



Hampton  
Walnut



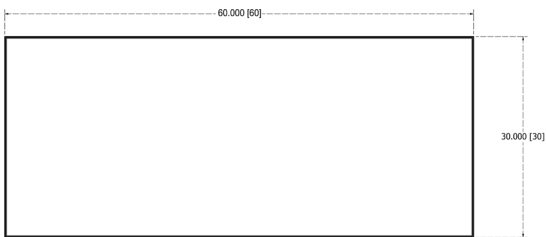
**OPTIONAL  
EVO STORAGE CART**

MODEL	LAMINATE TOP
QS-EVORND-B	Black
QS-EVORND-W	White
QS-EVORND-AMP	Antique Marula Pine
QS-EVORND-NW	Neo Walnut
QS-EVORND-HW	Hampton Walnut
QS-EVOREC-B	Black
QS-EVOREC-W	White
QS-EVOREC-AMP	Antique Marula Pine

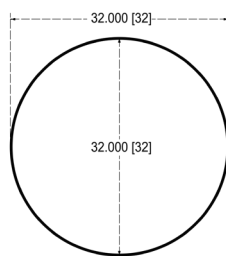
MODEL	LAMINATE TOP
QS-EVOREC-NW	Neo Walnut
QS-EVOREC-HW	Hampton Walnut
QS-EVOSQ-B	Black
QS-EVOSQ-W	White
QS-EVOSQ-AMP	Antique Marula Pine
QS-EVOSQ-NW	Neo Walnut
QS-EVOSQ-HW	Hampton Walnut

\*

30" x 60" Rectangle (REC)



30" Round (RND)



30" Square (SQ)

